

<https://www.unisis.co.jp>

UNIEVER®

Uniever is a brand name of Unisis Corp.

DISPOSABLE HEAT MOISTURE EXCHANGER FILTER



DISPOSABLE HEAT MOISTURE EXCHANGER FILTER

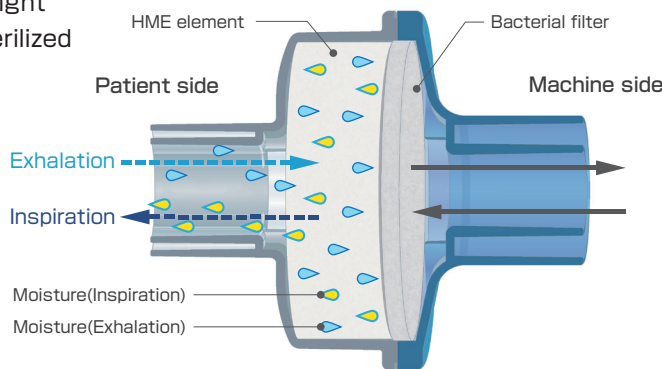
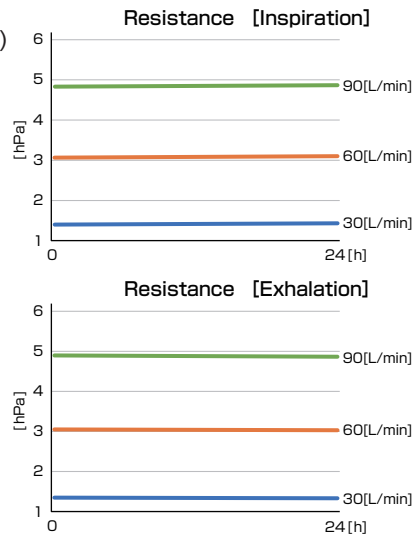
UNIEVER HEAT MOISTURE EXCHNGER FILTER (HMEF) that realized "Made in Japan"

Heat Moisture Exchanger combined with a filter (EOG sterilized), developed and achieved all manufacturing processes in Japan for resolving supply shortage during the new virus pandemic. Our HMEF has achieved compact size and light weight to take care of a wide range of patients in clinical fields.

MADE IN JAPAN

Features/Functions

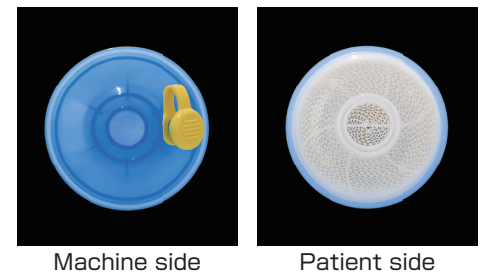
- Machine side connector (22F/15M)
- Patient side connector (22M/15F)
- Electrostatic bacterial filter
- Bacterial/Viral filtration efficiency 99.99%
- Rolled paper HME element
- Stable resistance to flow
- Recommended tidal volume 150~1000mL
- Maximum 24 hours of use
- Sampling port with good visibility (Luer lock connector)
- Safety-conscious coloring
- Low dead space
- Lightweight
- EOG sterilized



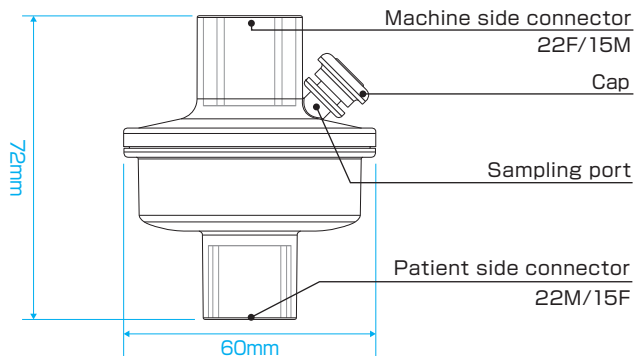
Performances/Specifications

Item	Specifications *Representative value
Tidal volume	150~1,000mL
Viral filtration efficiency	99.99%
Bacterial filtration efficiency	99.999%
Moisture loss	7.5mgH ₂ O/L
Resistance	1.5hPa (30L/min)
	3.3hPa (60L/min)
Dead space	46mL
Air leak	Less than 0.5mL/min
Compliance	Below 0.5mL/kPa
Weight (g)	26g
Sampling port	Available

Appearance of product



Names of parts with sketches



Standard size

[Product Name] Disposable Heat Moisture Exchanger Filter

REF(Code No.)	-
Package unit	Individually packed and 25 pcs/box
Sterilization	E.O.G. sterilized

Manufacturer

UNISIS CORP. JAPAN

7th Fl. Mitsui-Sumitomo Bank Okachimachi-Bldg. 4-11-4 Taito, Taito-Ku, Tokyo, Japan 110-0016
(Direct call) International Sales Dept. Tel: +81-3-5812-8832 / Fax: +81-3-5812-8831

URL <https://www.unisis.co.jp/en/>

Made in Japan

Representative