



<http://www.unisis.co.jp>

UNIEVER[®]

Uniever is a brand name of Unisis Corp.

DISPOSABLE ANGIOGRAPHIC NEEDLE



One-piece needle
20G×50mm
(Needle hub B)

One-piece needle
18G×70mm
(Needle hub F)

Two-piece needle

DISPOSABLE ANGIOGRAPHIC NEEDLE

Puncture devices embodying today's technology and precision

Unisis angiographic needles are designed for use in the Seldinger method and are characterized by smooth passage of the guidewire due to high-precision bevel tip processing.

Available in one- and two-piece types, depending on the intended use.

Point Symbol Marks



LANCET POINT (ONE-PIECE)



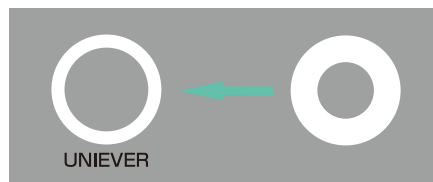
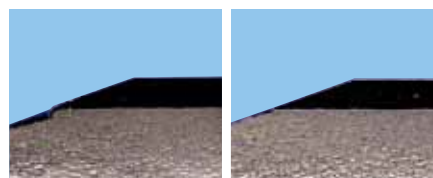
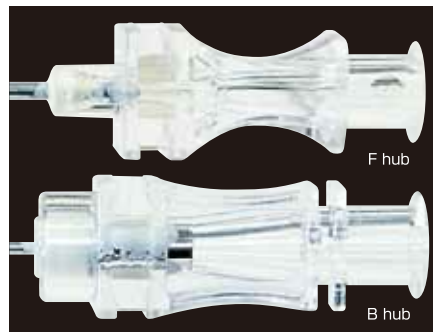
TRI-BEVEL POINT (TWO-PIECE)

Features

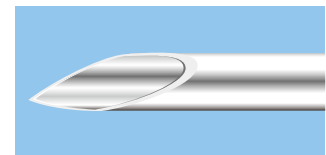
● Adjustable structure for optical usability
Our carefully-designed needle hub made from crystal clear polycarbonate assures firm gripping and easy visualization of the guidewire and blood flashback. The hub wing is detachable, depending on the procedure.

● Special treatment on the bevel heel
The bevel heel is rounded by a special technique with blast finishing to protect the guidewire from cutting or nicking, while assuring smooth insertion.

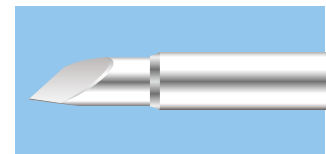
● Thin wall
The application of our unique thin-walled tube has resulted in enhancing the flexibility of manipulation required for the angiographic needles. This feature, together with our innovative hub design, greatly facilitates smooth insertion to the target site.



Needle points

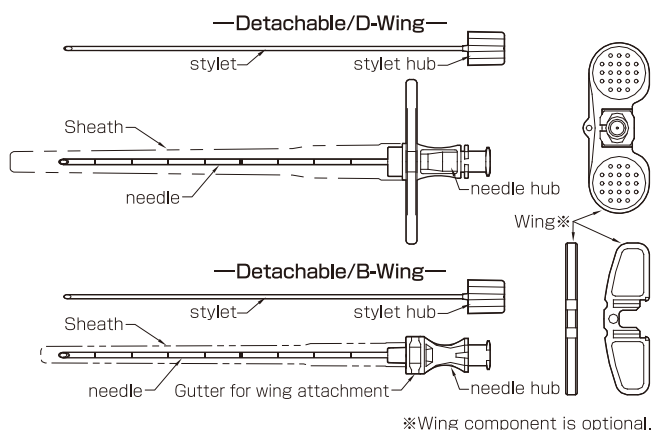


One-piece type needle (Lancet point)
This simple lancet point needle has excellent puncture performance.



Two-piece type needle (Tri-bevel point)
The outer needle has a rounded point, while the stylet has a sharp tri-bevel point. We carefully process the assembly with utmost accuracy to minimize the resistance caused by the gap between the needle and the stylet.

Names of parts with sketches



Standard sizes

Product Name : UNIEVER DISPOSABLE ANGIOGRAPHIC NEEDLE
Needle Point Type : Lancet Point (One-Piece Type Needle)

G: Gauge	Length	Maximum Guidewire	REF (Code No.)
18G	70mm	0.038"	4111171
19G	70mm	0.035"	4120771

Individually packed and 25 pcs/box
E.O.G. sterilized

Needle Point Type : Tri-Bevel Point (Two-Piece Type Needle)

G: Gauge	Length	Maximum Guidewire	REF (Code No.)
18G	70mm	0.038"	4240871
19G	70mm	0.035"	4240371

Individually packed and 25 pcs/box
E.O.G. sterilized

Manufacturer



7th Fl. Mitsui-Sumitomo Bank Okachimachi-Bldg. 4-11-4 Taito, Taito-Ku,
Tokyo, Japan 110-0016
(Direct call) international sales dept Tel:03-5812-8832 / Fax:03-5812-8831

URL <http://www.unisis.co.jp/english/>

Made in Japan

Representative

Note : Product specifications are subject to change without prior notice due to product improvements, etc. **AG120103E**