



<http://www.unisis.co.jp>

UNIEVER[®]

Uniever is a brand name of Unisis Corp.

DISPOSABLE EPIDURAL ANESTHESIA NEEDLE



20G×80mm

18G×80mm

DISPOSABLE EPIDURAL ANESTHESIA NEEDLE

Unisis Corporation is proud to present our comprehensive selection of Uniever epidural anesthesia needles. Uniever epidural needles reflect our uncompromising efforts to satisfy changing demands with the innovative use of high-precision manufacturing technology.

Both types for introducing Anesthesia with Epidural Catheters and for single-shot use are available. We carefully manufacture our epidural anesthesia needles under the strictest quality control procedures. We guarantee you'll be impressed with the quality, reliability, and affordability of Uniever needles. We go beyond the standard array lengths and diameters to provide today's practitioners with the right tools for any procedure and any patient.

Point Symbol Marks



Huber point



Crawford point



Lutz point

Features

● Needle hubs in wide varieties

Diverse hubs are available in shapes and functions, together with variety of wings (fixed or detachable), to satisfy various purposes and favourites of doctors.

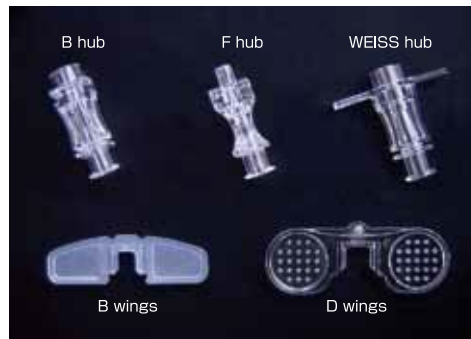
● Ideal formation of bevel facets

Bevels of stylet and needle are precisely ground to form an optimal angle, to achieve both moderate puncture resistance and minimal invasiveness.

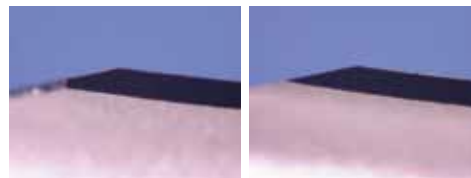
The ideal clearance between stylet and needle prevents a risk of jamming by and transportation of tissues to other place.

● Prevent damage to catheter

Heel part of the bevel is specially treated to enable smooth insertion and prevent breakage of catheter.



Options of needle hubs and wings



Anti-Coring

Without Anti-Coring

Needle points



Huber point

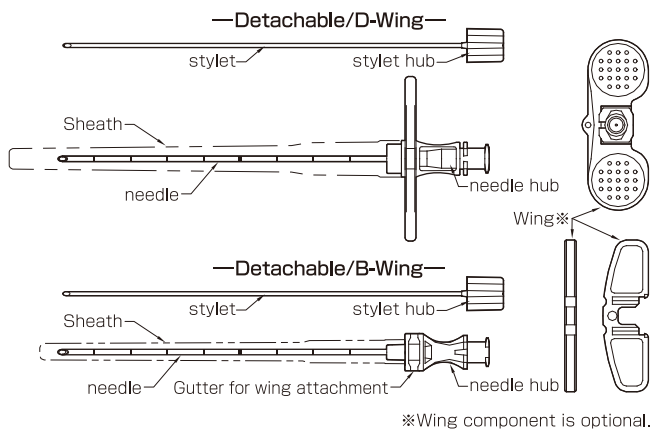
Our needle has an ideal curvature supporting you to advance a catheter to your intended direction. Huber point with plastic-stylet, deliberating on safety, is also available.



Crawford and Lutz points

A super-short beveled point is ideal for caudal blocks (left). A round point is suitable for blunt insertion (right)

Names of parts with sketches



Standard sizes

Product Name : UNIEVER DISPOSABLE EPIDURAL ANESTHESIA NEEDLE
Needle Point Type : Huber Point

G: Gauge/ Color Code	Length	Graduation	Stylet	Attachment	REF (Code No.)
16G	90mm	Line Type	Plastic	Wing	3221071
17G	90mm	Line Type	Plastic	Wing	3232071
18G	90mm	Line Type	Plastic	Wing	3242871

Individually packed and 25 pcs/box
E.O.G. sterilized

Manufacturer



7th Fl. Mitsui-Sumitomo Bank Okachimachi-Bldg. 4-11-4 Taito, Taito-Ku,
Tokyo, Japan 110-0016
(Direct call) international sales dept Tel:03-5812-8832 / Fax:03-5812-8831

URL <http://www.unisis.co.jp/english/>

Made in Japan

Representative

Note : Product specifications are subject to change without prior notice due to product improvements, etc. EP090103E